



Addendum No. 1

Date of Addendum Issuance: August 11th, 2021

Project: Market Street Sidewalks & Resurfacing – SPLOST 08

The following revised plan sheet C1 dated 8/4/2021 shall replace the plan sheet in the bid package dated 8/2/2021.



SPLOST 08
MARKET STREET
RESURFACING AND SIDEWALKS

DRAWING DATE:

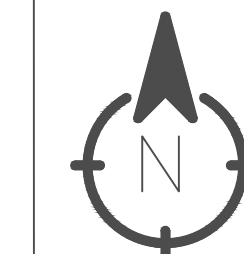
08/02/2021

REVISIONS:

1	08/04/2021 - ADD GUARDRAIL



SCALE: 1" = 40'



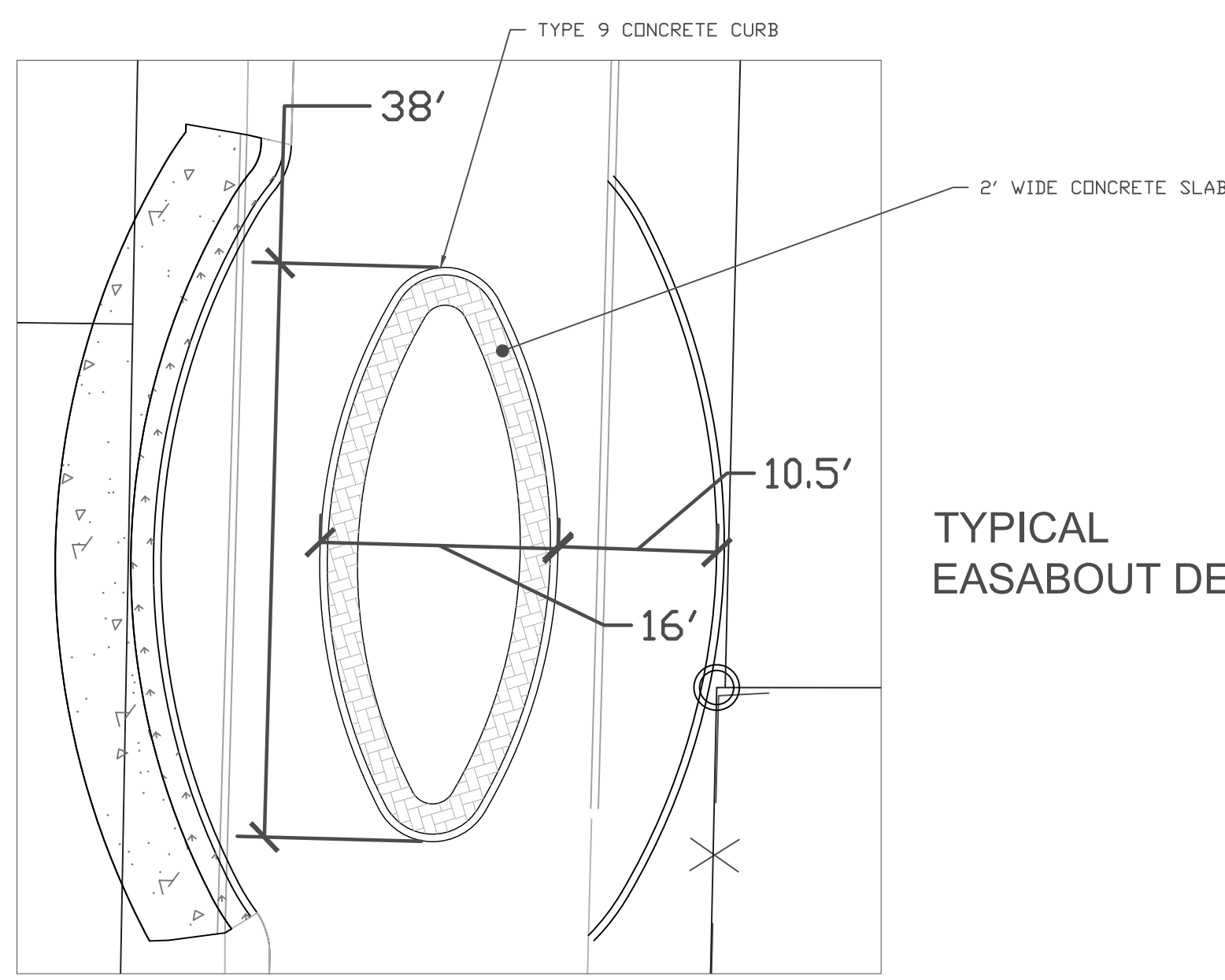
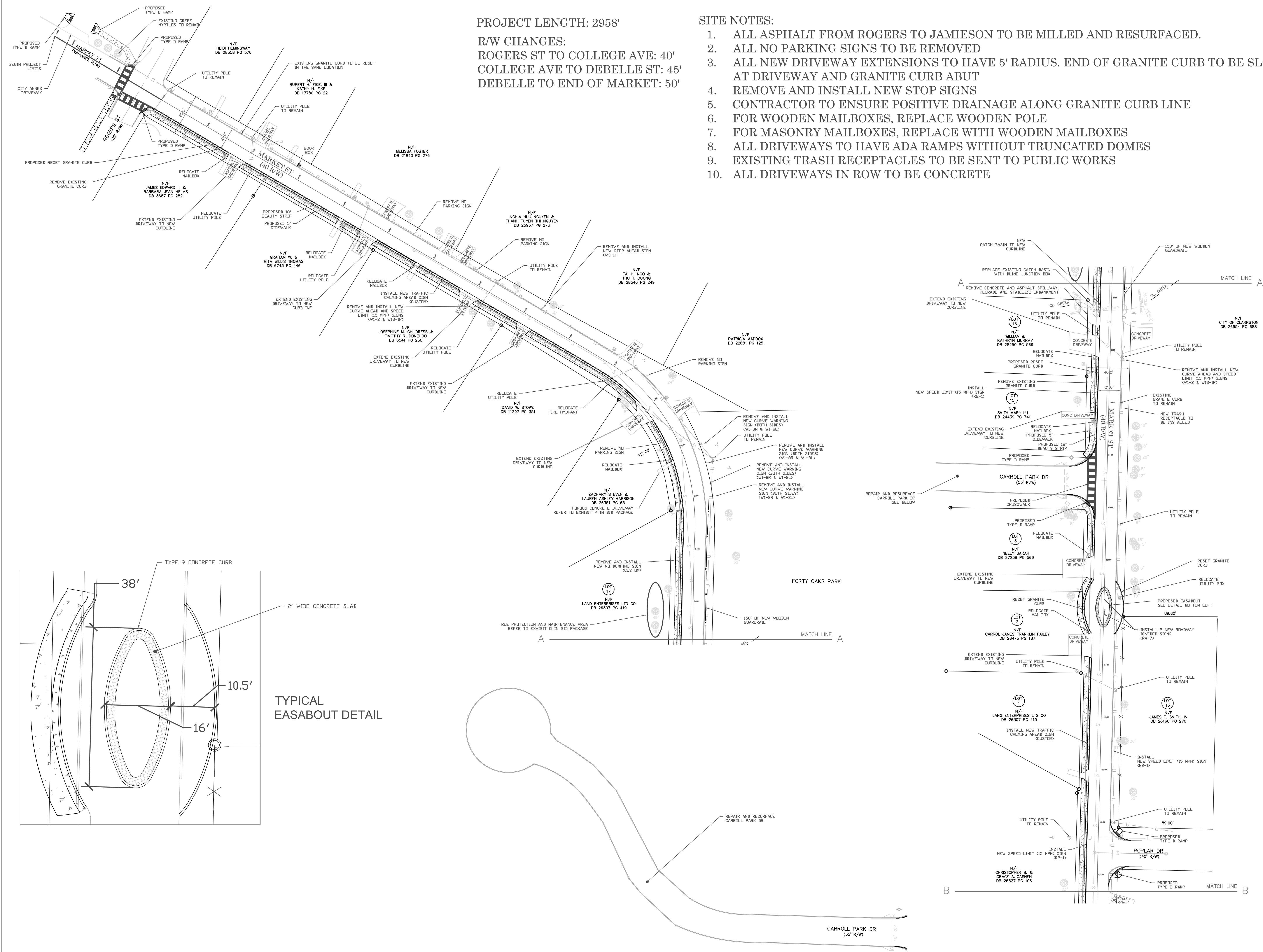
C1

SITE NOTES:

1. ALL ASPHALT FROM ROGERS TO JAMIESON TO BE MILLED AND RESURFACED.
2. ALL NO PARKING SIGNS TO BE REMOVED
3. ALL NEW DRIVEWAY EXTENSIONS TO HAVE 5' RADIUS. END OF GRANITE CURB TO BE SLOPED AT DRIVEWAY AND GRANITE CURB ABUT
4. REMOVE AND INSTALL NEW STOP SIGNS
5. CONTRACTOR TO ENSURE POSITIVE DRAINAGE ALONG GRANITE CURB LINE
6. FOR WOODEN MAILBOXES, REPLACE WOODEN POLE
7. FOR MASONRY MAILBOXES, REPLACE WITH WOODEN MAILBOXES
8. ALL DRIVEWAYS TO HAVE ADA RAMPS WITHOUT TRUNCATED DOMES
9. EXISTING TRASH RECEPTACLES TO BE SENT TO PUBLIC WORKS
10. ALL DRIVEWAYS IN ROW TO BE CONCRETE

PROJECT LENGTH: 2958'

R/W CHANGES:
ROGERS ST TO COLLEGE AVE: 40'
COLLEGE AVE TO DEBELLE ST: 45'
DEBELLE TO END OF MARKET: 50'



TYPICAL
EASABOUT DETAIL